



# UH Series Utility Clamp

(248) 356-2839

*High capacity hinged clamp with quick release locking clasp. Available in multiple configurations*

## FEATURES

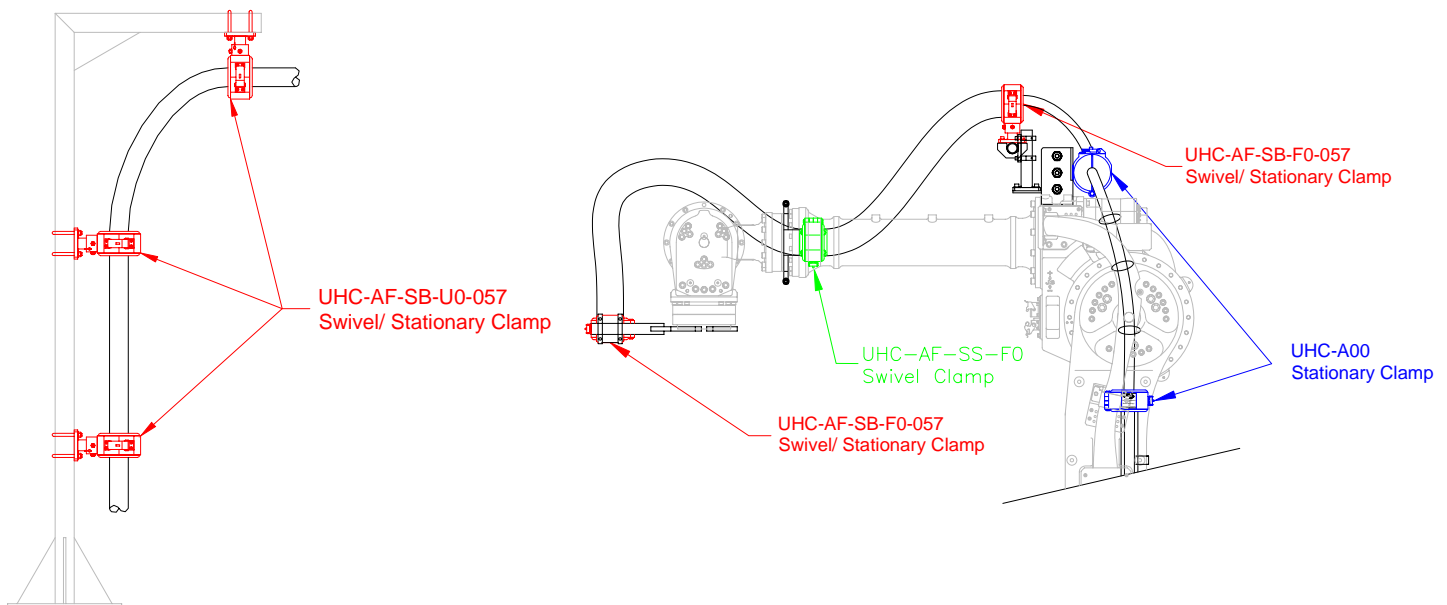
- 4 inch (101mm) bundle capacity
- Quick release w/ locking hasp
- Sturdy lightweight aluminum construction
- Anodized finish for long lasting service
- Available in stationary, swivel, swivel/ stationary or dual swivel stationary configurations
- Use with UHI Inserts to size clamp to bundle
- Swivel/ stationary mount allows for 360 degree swivel action or adjustable stationary mount every 30 degrees
- Use with SD series Brackets
- Use with SC series Star Clamps
- Use with SB series Boom Bars
- Use with SA series Brackets
- Robot Dress assistance readily available
- 'Value added' services available



## USAGE EXAMPLES

**Fixtures**— fence posts, rails, tooling, etc.

**Robots**— multiple configurations of clamps allow for proper application.



Notice: The information contained herein is, to the best of our knowledge, true, accurate and reliable. Since procedures and conditions under which these products may be used are beyond our control, no warranty, expressed or implied, is made to their performance.



Syndevco Inc.  
ISO-9001-2000  
Certificate # A10995

**Syndevco Inc.**

Sheet: 060728

24205 Telegraph Rd - Southfield MI 48034

Toll Free: (800) 356-2839 Local: (248) 356-2839 Fax: (248) 356-0928

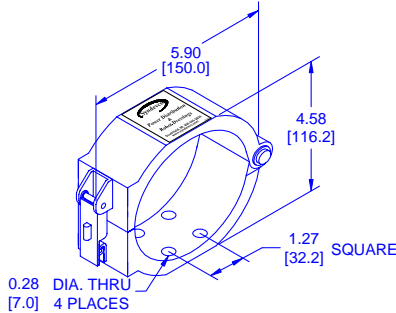
visit us at: [www.syndevco.com](http://www.syndevco.com)



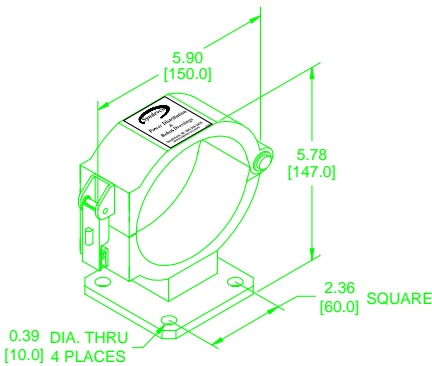
# UH Series Utility Clamp

## DIMENSIONS / PART NUMBERS

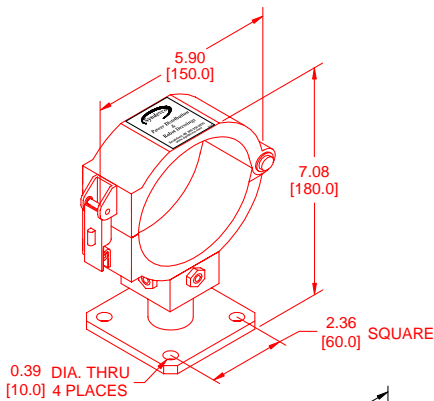
Units of Measure: inches  
[mm]



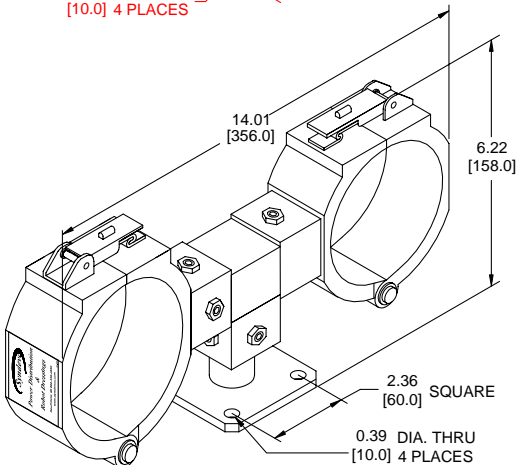
**Stationary Clamp**  
Part Number– UHC-A00



**Swivel (only) Clamp**  
Part Number– UHC-AF-SS-F0  
with square U-bolts– UHC-AF-SS-U0



**Swivel / Stationary Clamp**  
Part Number– UHC-AF-SB-F0-057  
with square U-bolts– UHC-AF-SB-U0-057



**Swivel / Stationary Dual Clamp**  
Part Number– UHC-AF-DB-F0-057  
with square U-bolts– UHC-AF-DB-U0-057

Notice: The information contained herein is, to the best of our knowledge, true, accurate and reliable. Since procedures and conditions under which these products may be used are beyond our control, no warranty, expressed or implied, is made to their performance.



Syndevco Inc.  
ISO-9001-2000  
Certificate # A10995

**Syndevco Inc.**

Sheet: 060728

24205 Telegraph Rd - Southfield MI 48034

Toll Free: (800) 356-2839 Local: (248) 356-2839 Fax: (248) 356-0928

visit us at: [www.syndevco.com](http://www.syndevco.com)