



UH Series Clamp Inserts

(248) 356-2839

Inserts used in conjunction with UH Series Clamps, have variety of inner diameters and configurations

FEATURES

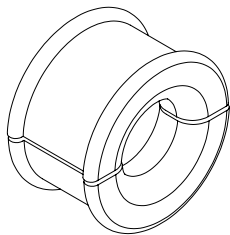
- Use with UH Series Utility Clamps
- Hard and Soft materials available
- Hard Material– 2 pc design
- Soft Material– 1 pc (pac-man) design
- Single or Dual hole configurations available
- Corrugated tube configurations available
- Custom requirements easily met
- Robot Dress assistance readily available
- ‘Value added’ services available
- Part numbers available for complete assemblies



AVAILABLE CONFIGURATIONS

Single Hole Insert

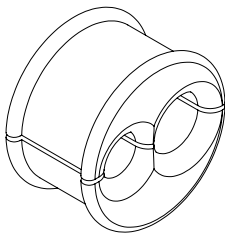
(Available in hard or soft material)



Hard material– 2 pc design shown

Dual Hole Insert

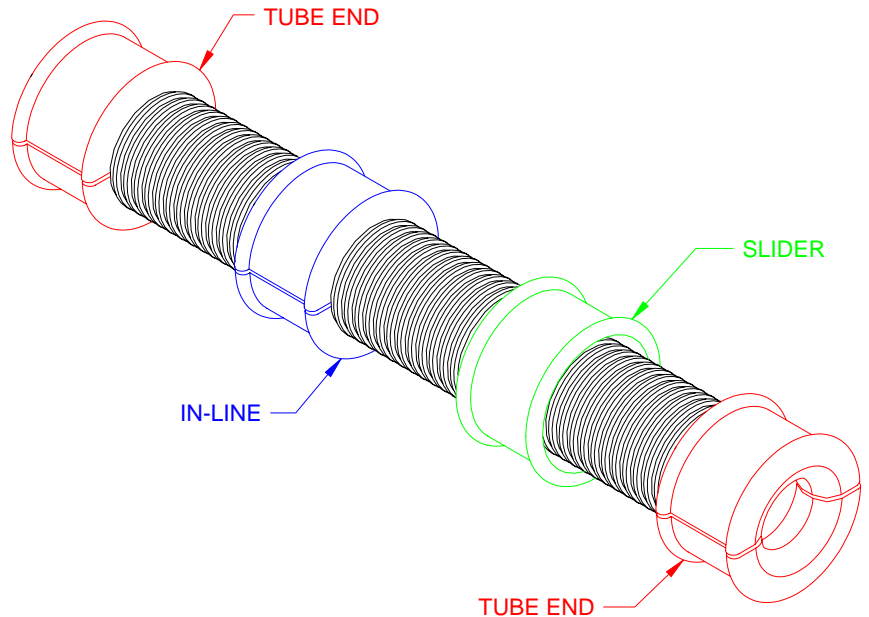
(Available in hard or soft material)



Hard material– 2 pc design shown

Corrugated Tube Inserts

(Available in hard material only)



Notice: The information contained herein is, to the best of our knowledge, true, accurate and reliable. Since procedures and conditions under which these products may be used are beyond our control, no warranty, expressed or implied, is made to their performance.



Syndevco Inc.
ISO-9001-2000
Certificate # A10995

Syndevco Inc.

Sheet: 060718

24205 Telegraph Rd - Southfield MI 48034

Toll Free: (800) 356-2839 Local: (248) 356-2839 Fax: (248) 356-0928

visit us at: www.syndevco.com



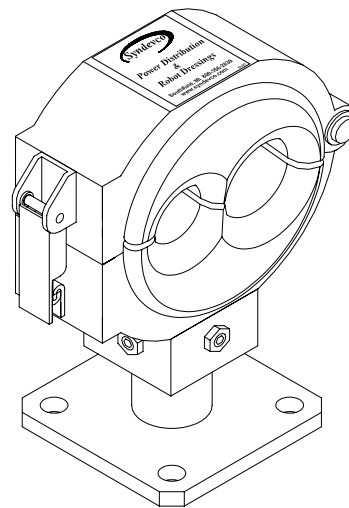
UH Series Clamp Inserts

PART NUMBERING

UHI-A Inserts	
Material	
110 Shore A Rigid	
Color	
White	
Size Increments	
(I.D.) mm every 2 mm (even numbers)	
Single Hole	
Part Numbering	
UHI-AXX(mm)	
Examples	
UHI-A32 UHI-A56	
Dual Hole	
Part Numbering (small hole first)	
UHI-AXX(mm)/YY(mm)	
Examples	
UHI-A20/48 UHI-A12/56	
Corr Tubing Ends (70 or 56 PMA)	
Part Numbering	
UHI-AC70-XX(mm)/YY(mm)	
Examples	
UHI-AC70-22 UHI-AC56-26 UHI-AC56-10/12	
Corr Tubing In-Line (70 or 56 PMA)	
Part Numbering	
UHI-AITube Size	
Examples	
UHI-AI70 UHI-AI56	
Corr Tubing Slider (70 or 56 PMA)	
Part Numbering	
UHI-ASTube Size	
Examples	
UHI-AS70 UHI-AS56	

UHI-B Inserts	
Material	
60 Shore A Plyable	
Color	
Yellow	
Size Increments	
(I.D.) mm every 5 mm (0 and 5)	
Single Hole	
Part Numbering	
UHI-BXX(mm)	
Examples	
UHI-B25 UHI-B50	
Dual Hole	
Part Numbering (small hole first)	
UHI-AXX(mm)/YY(mm)	
Examples	
UHI-B20/55 UHI-B35/40	

USAGE EXAMPLE



UHI-A28/50 Insert shown with a
UHC-AF-SB-F0-057 Utility Clamp

Notice: The information contained herein is, to the best of our knowledge, true, accurate and reliable. Since procedures and conditions under which these products may be used are beyond our control, no warranty, expressed or implied, is made to their performance.



Syndevco Inc.
ISO-9001-2000
Certificate # A10995

Syndevco Inc.

Sheet: 060718

24205 Telegraph Rd - Southfield MI 48034

Toll Free: (800) 356-2839 Local: (248) 356-2839 Fax: (248) 356-0928

visit us at: www.syndevco.com