



# SD Series Brackets

(248) 356-2839

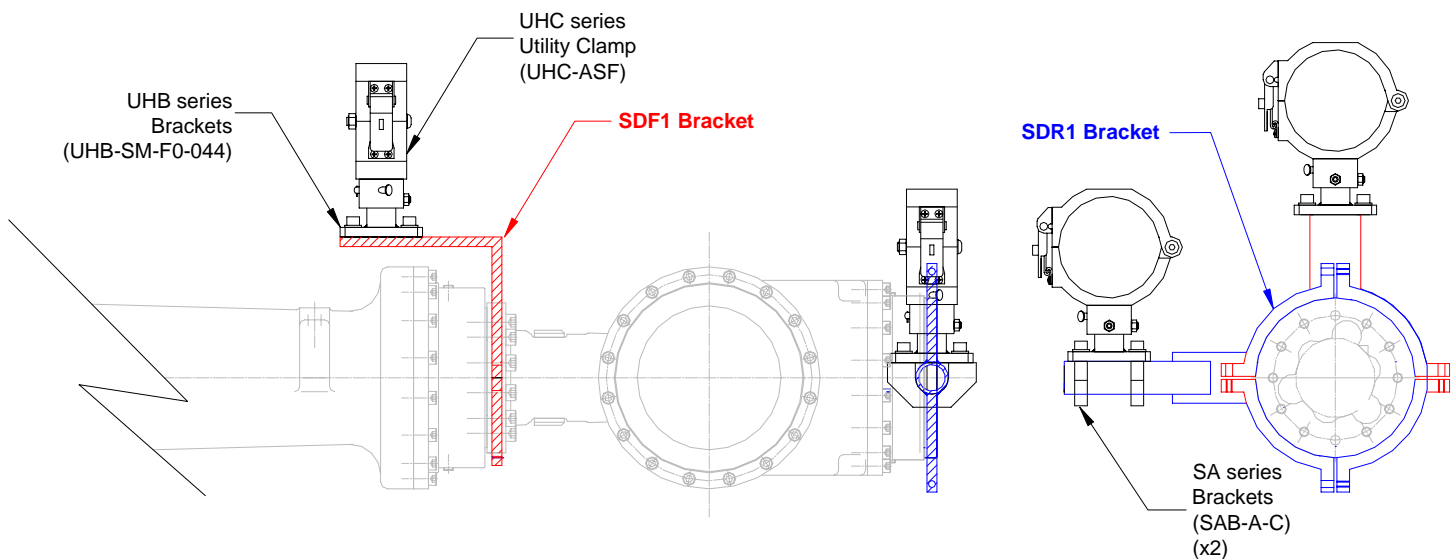
*Secure brackets that mount around axis points to assist in efficient, flexible dressout of robots*

## FEATURES

- Typical application for Axis 4 and Axis 6 of robot
- Secure non-slip mount
- Mounts on cylindrical surfaces
- Specify diameter required
- Allows flexibility to rearrange routing to match program
- Decrease downtime
- Easy to use and reposition
- Use with UH series Utility Clamps
- Use with UHB series Brackets
- Robot Dress assistance readily available
- 'Value added' services available



## USAGE EXAMPLES - not limited to



Notice: The information contained herein is, to the best of our knowledge, true, accurate and reliable. Since procedures and conditions under which these products may be used are beyond our control, no warranty, expressed or implied, is made to their performance.



**Syndevco Inc.**

Sheet: 041025

24205 Telegraph Rd - Southfield MI 48034

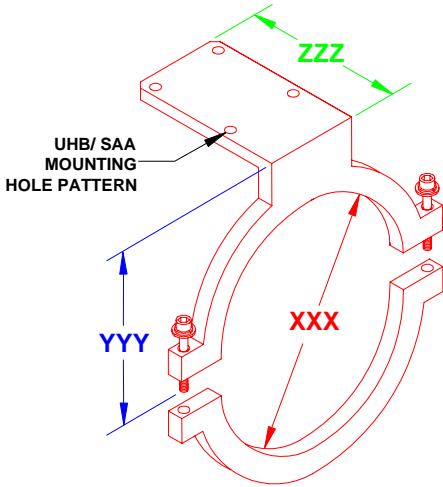
Toll Free: (800) 356-2839 Local: (248) 356-2839 Fax: (248) 356-0928

visit us at: [www.syndevco.com](http://www.syndevco.com)



# SD Series Brackets

## EXAMPLE STANDARD



**Part Numbering :**  
**Sample Part Number:**  
**Options:**

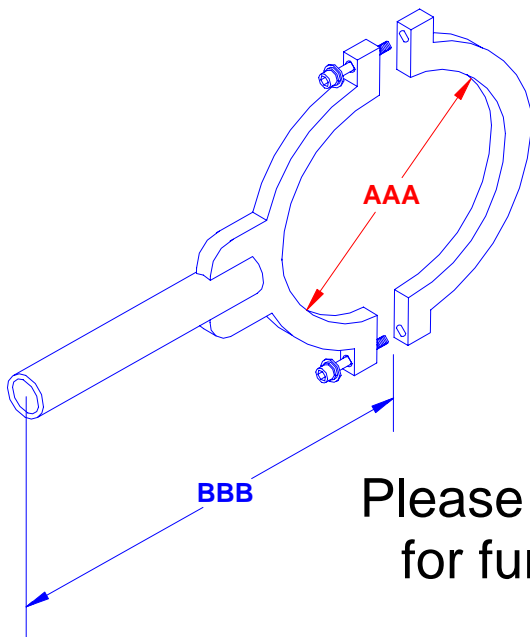
**SDF1-XXX-YYY/ZZZ**

**SDF1-174-135/125**

**XXX** – Diameter (mm)  
*(Typically of Axis 4)*

**YYY** – Distance (mm)  
from mounting surface to center

**ZZZ** – Length (mm)  
of mounting surface



**Part Number:**  
**Sample Part Number:**  
**Options:**

**SDR1-AAA-BBB**

**SDR1-160-400**

**AAA** – Diameter (mm)  
*(Typically of Axis 6)*

**BBB** – Length (mm)  
of pipe from center

Please see our other products  
for further design solutions



RF Series  
Transgun Cables



UH series Utility Clamp



GTP Series  
Power Distribution Boxes

Notice: The information contained herein is, to the best of our knowledge, true, accurate and reliable. Since procedures and conditions under which these products may be used are beyond our control, no warranty, expressed or implied, is made to their performance.



Syndevco Inc.  
ISO-9001-2000  
Certificate # A10995

**Syndevco Inc.**

Sheet: 041025

24205 Telegraph Rd - Southfield MI 48034

Toll Free: (800) 356-2839 Local: (248) 356-2839 Fax: (248) 356-0928

visit us at: [www.syndevco.com](http://www.syndevco.com)