



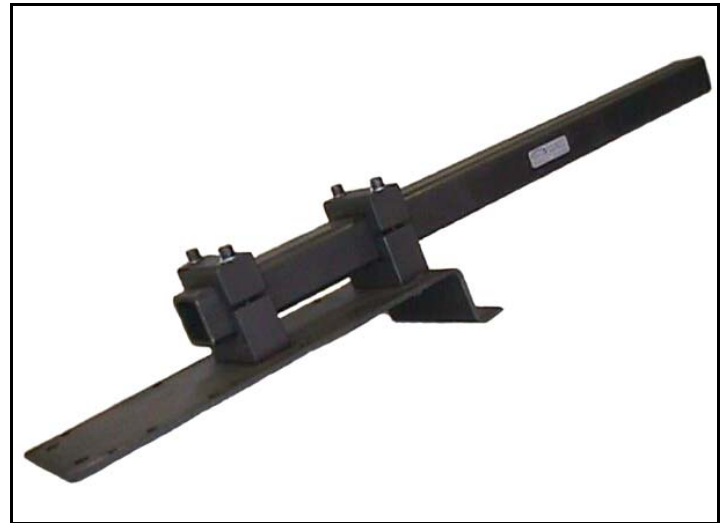
SB Series Boom Bars

(248) 356-2839

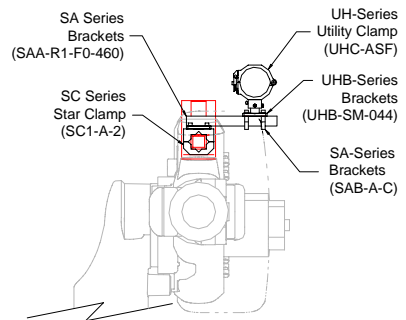
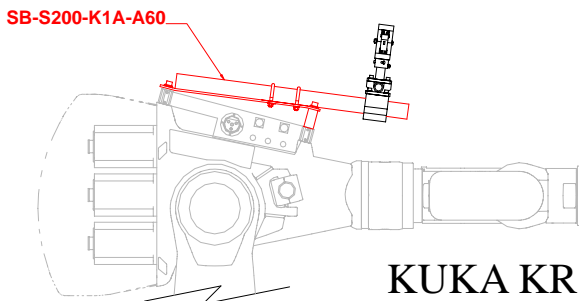
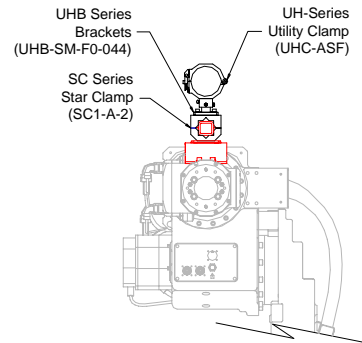
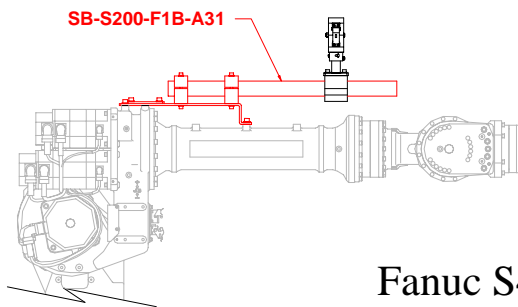
Boom Bars are an economical, flexible method of providing a mounting point on any robot to allow for dressing

FEATURES

- Sturdy construction
- Square for extra heavy duty strength
- Round boom also available
- Standard 2 inch square boom with bracket adapted for any robot
- Easily adjust length of boom
- Use with UH series Utility Clamp
- Use with SC series Star Clamp
- Use with UHB series Brackets
- Dressout modules available
- Dressout service readily available
- 'Value Added' services available



USAGE EXAMPLES - not limited to



Notice: The information contained herein is, to the best of our knowledge, true, accurate and reliable. Since procedures and conditions under which these products may be used are beyond our control, no warranty, expressed or implied, is made to their performance.



Syndevco Inc.

Sheet: 050218

24205 Telegraph Rd - Southfield MI 48034

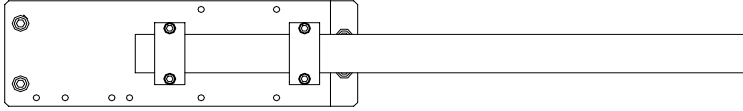
Toll Free: (800) 356-2839 Local: (248) 356-2839 Fax: (248) 356-0928

visit us at: www.syndevco.com

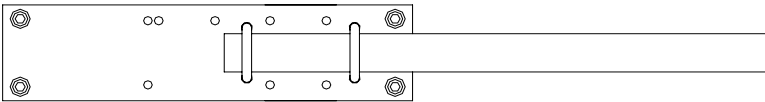
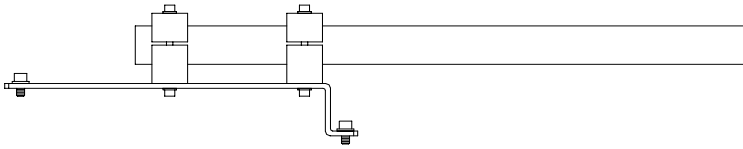


SB Series Boom Bars

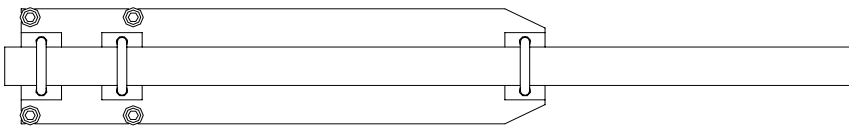
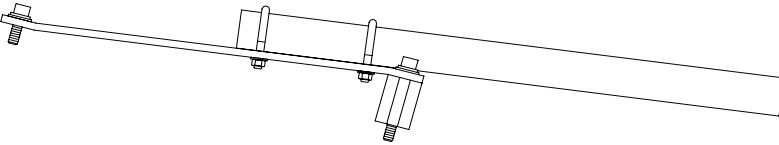
BOOM BAR EXAMPLES — not limited to



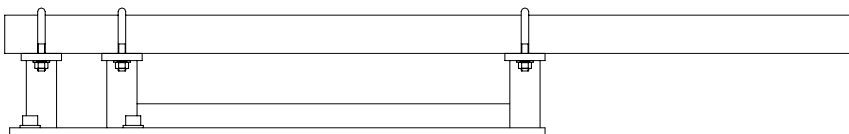
Fanuc R2000i mount



KUKA KR150 mount



Fanuc 420i mount



Notice: The information contained herein is, to the best of our knowledge, true, accurate and reliable. Since procedures and conditions under which these products may be used are beyond our control, no warranty, expressed or implied, is made to their performance.



Syndevco Inc.
ISO-9001-2000
Certificate # A10995

Syndevco Inc.

Sheet: 050218

24205 Telegraph Rd - Southfield MI 48034

Toll Free: (800) 356-2839 Local: (248) 356-2839 Fax: (248) 356-0928

visit us at: www.syndevco.com