



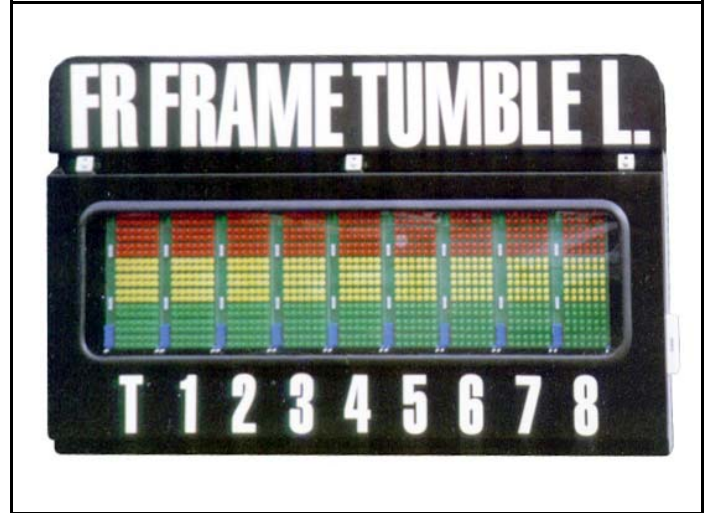
Marquee Assemblies

(248) 356-2839

Low cost marquees provide an efficient way of communicating status of a specified situation

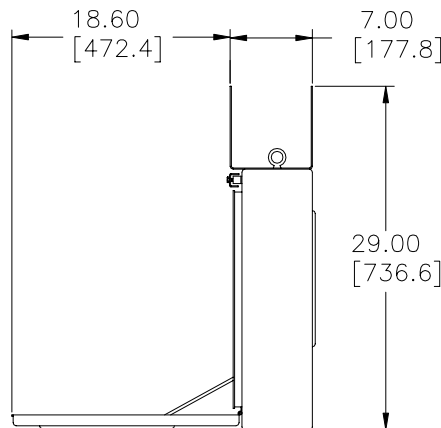
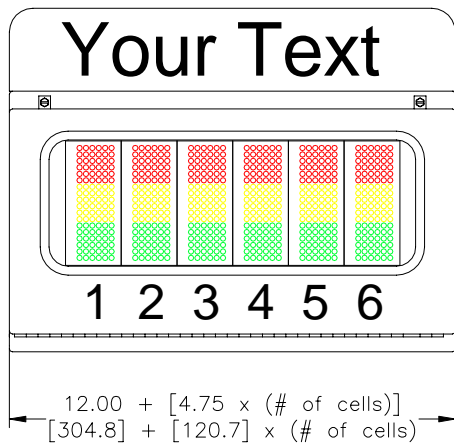
FEATURES

- Low Cost
- Stop Light LED or Shape Light LED versions
- Long lasting LED lights
- Incandescent versions available
- 1 to 24 cells
- Custom labeling to specifications
- 120VAC or 24VDC versions
- Electrical connection on bottom, top or side
- Custom wiring to specifications
- Additional options such as horns, multiple tone horns, speakers, push button testers, side terminal box, I/O blocks

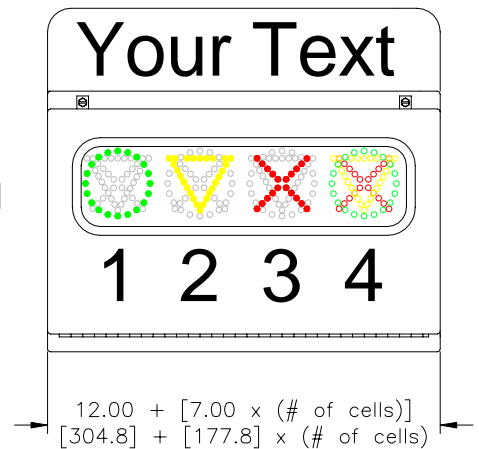


DIMENSIONS

Stop Light LED Version



Shape LED Version



Units of Measure: inches
[mm]

Notice: The information contained herein is, to the best of our knowledge, true, accurate and reliable. Since procedures and conditions under which these products may be used are beyond our control, no warranty, expressed or implied, is made to their performance.



Syndevco Inc. Sheet: 040120
24205 Telegraph Rd - Southfield MI 48034
Toll Free: (800) 356-2839 Local: (248) 356-2839 Fax: (248) 356-0928
visit us at: www.syndevco.com



Marquee Assemblies

OPTIONS

Indicators

Light Configuration

- Stop Light
- Shape Light

Qty of Cells

- 1 cell thru 24 cells

Labeling

- Per customer specification

Electrical

Mount Position

- Top
- LH or RH Side
- Bottom

Connector Type

- Hardwire
- Pigtail
- Receptacle (A, X, V- line, Pyle, Harting, etc.)

Wiring

- Per customer specification

Additional Options

- Horns
- Speakers
- Push button testers
- Side terminal box
- I/O blocks

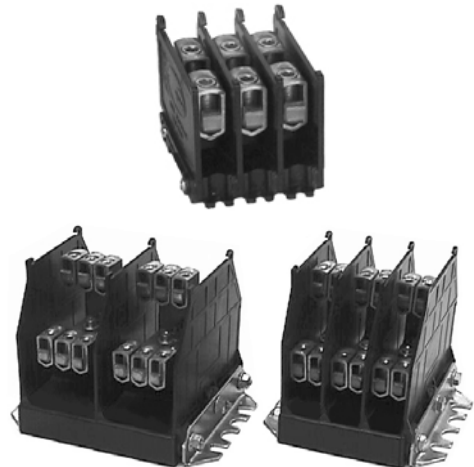
Please see some of our other products for further design solutions



UH series
Utility Clamp



GTP Series
Power Distribution
Boxes



Terminal Blocks

Notice: The information contained herein is, to the best of our knowledge, true, accurate and reliable. Since procedures and conditions under which these products may be used are beyond our control, no warranty, expressed or implied, is made to their performance.



Syndevco Inc.
ISO-9001-2000
Certificate # A10995

Syndevco Inc.

Sheet: 040120

24205 Telegraph Rd - Southfield MI 48034

Toll Free: (800) 356-2839 Local: (248) 356-2839 Fax: (248) 356-0928

visit us at: www.syndevco.com