



LH Series Utility Clamp

(248) 356-2839

High capacity hinged clamp with quick release locking clasp. Available in multiple configurations

FEATURES

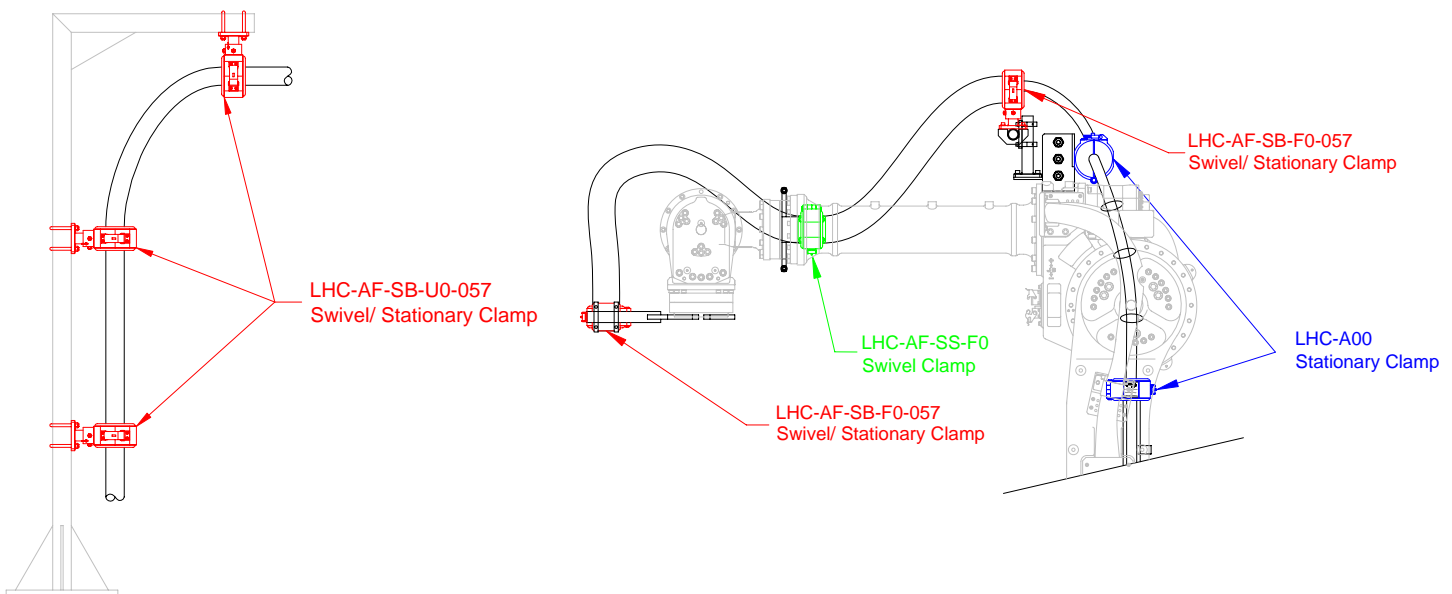
- 5.25 inch (133 mm) bundle capacity
- Quick release w/ locking hasp
- Sturdy lightweight aluminum construction
- Anodized finish for long lasting service
- Available in stationary, swivel, swivel/ stationary or dual swivel stationary configurations
- Use with LHI Inserts to size clamp to bundle
- Swivel/ stationary mount allows for 360 degree swivel action or adjustable stationary mount every 30 degrees
- Use with SD series Brackets
- Use with SC series Star Clamps
- Use with SB series Boom Bars
- Use with SA series Brackets
- Robot Dress assistance readily available
- ‘Value added’ services available



USAGE EXAMPLES

Fixtures— fence posts, rails, tooling, etc.

Robots— multiple configurations of clamps allow for proper application.



Notice: The information contained herein is, to the best of our knowledge, true, accurate and reliable. Since procedures and conditions under which these products may be used are beyond our control, no warranty, expressed or implied, is made to their performance.



Syndevco Inc.
ISO-9001-2000
Certificate # A10995

Syndevco Inc.

Sheet: 070202

24205 Telegraph Rd - Southfield MI 48034

Toll Free: (800) 356-2839 Local: (248) 356-2839 Fax: (248) 356-0928

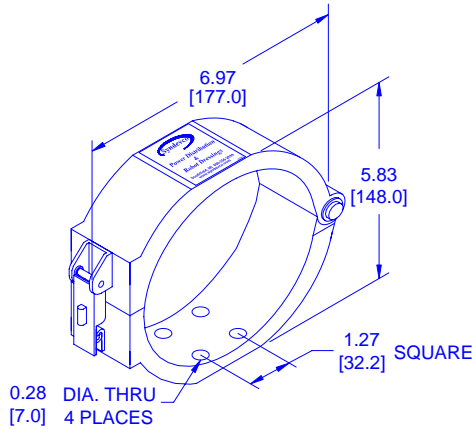
visit us at: www.syndevco.com



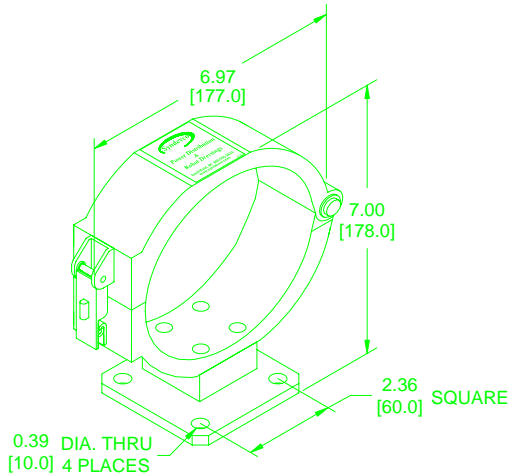
LH Series Utility Clamp

DIMENSIONS / PART NUMBERS

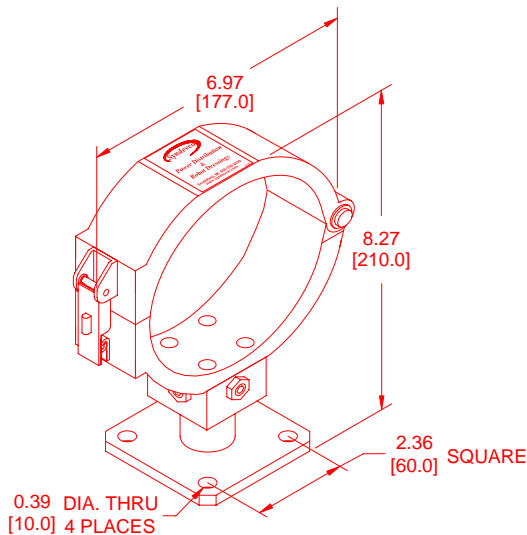
Units of Measure: inches
[mm]



Stationary Clamp
Part Number– LHC-A00



Swivel (only) Clamp
Part Number– LHC-AF-SS-F0
with square U-bolts– LHC-AF-SS-U0



Swivel / Stationary Clamp
Part Number– LHC-AF-SB-F0-057
with square U-bolts– LHC-AF-SB-U0-057

Notice: The information contained herein is, to the best of our knowledge, true, accurate and reliable. Since procedures and conditions under which these products may be used are beyond our control, no warranty, expressed or implied, is made to their performance.



Syndevco Inc.

Sheet: 070202

24205 Telegraph Rd - Southfield MI 48034

Toll Free: (800) 356-2839 Local: (248) 356-2839 Fax: (248) 356-0928

visit us at: www.syndevco.com