



7000-CP Series Cover Plates

(248) 356-2839

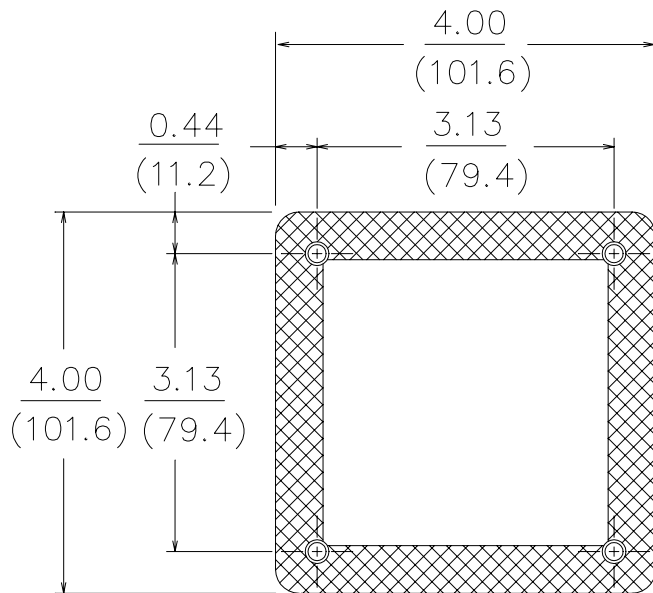
Provides a water tight seal over the 5 hole pattern used on 7000 series cage bushings.

FEATURES

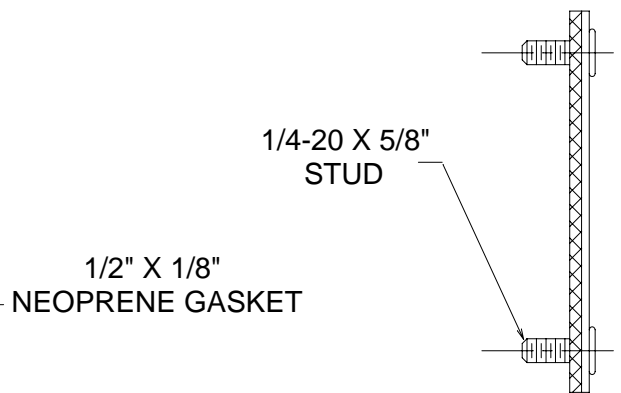
- Cost effective
- Same hole pattern as 7000 series cage bushings
- Keep common enclosure designs that use 7000 series equipment
- Covers spare holes
- Adapt for different types of strain reliefs
- Provides a water tight seal
- Value added services available



DIMENSIONS



UNIT OF MEASUREMENT $\frac{\text{in}}{\text{(mm)}}$



PART NUMBER SHOWN - 7000-CP-0000-A

Copyright © 2004 Syndevco Inc. All rights reserved.

Notice: The information contained herein is, to the best of our knowledge, true, accurate and reliable. Since procedures and conditions under which these products may be used are beyond our control, no warranty, expressed or implied, is made to their performance.



Syndevco Inc. Sheet: 041130
 24205 Telegraph Rd - Southfield MI 48034
 Toll Free: (800) 356-2839 Local: (248) 356-2839 Fax: (248) 356-0928
 visit us at: www.syndevco.com



7000-CP Series Cover Plates

PART NUMBER SYSTEM

GENERIC PART NUMBER : 7000-CP-XXXX-Y-Z

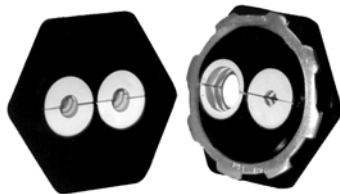
SAMPLE PART NUMBER : 7000-CP-0000-A

7000-CP-	XXXX		Y		Z
	HOLE SIZE (in)		COLOR		ADDITIONAL OPTIONS
0000	NO HOLE (COVER PLATE)		B	ANSI 61 Grey Grey/Grey	LEAVE BLANK FOR NONE OR SEE A SYNDEVCO REPRESENTATIVE
0563	9/16 (FOR 1/4 CONDUIT)		SEE A SYNDEVCO REPRESENTATIVE FOR FURTHER OPTIONS		
0750	3/4 (FOR 3/8 CONDUIT)				
0938	15/16 (FOR 1/2 CONDUIT)				
1125	1-1/8 (FOR 3/4 CONDUIT)				
1375	1-3/8 (FOR 1 CONDUIT)				
1750	1-3/4 (FOR 1-1/4 CONDUIT)				
2000	2 (FOR 1-1/2 CONDUIT)				
2500	2-1/2 (FOR 2 CONDUIT)				

Please see our other Strain Relief products for further design solutions



3000 Series



2490 Series



7000 Series

Copyright © 2004 Syndevco Inc. All rights reserved.

Notice: The information contained herein is, to the best of our knowledge, true, accurate and reliable. Since procedures and conditions under which these products may be used are beyond our control, no warranty, expressed or implied, is made to their performance.



Syndevco Inc.
ISO-9001-2000
Certificate # A10995

Syndevco Inc.

Sheet: 041130

24205 Telegraph Rd - Southfield MI 48034

Toll Free: (800) 356-2839 Local: (248) 356-2839 Fax: (248) 356-0928

visit us at: www.syndevco.com