



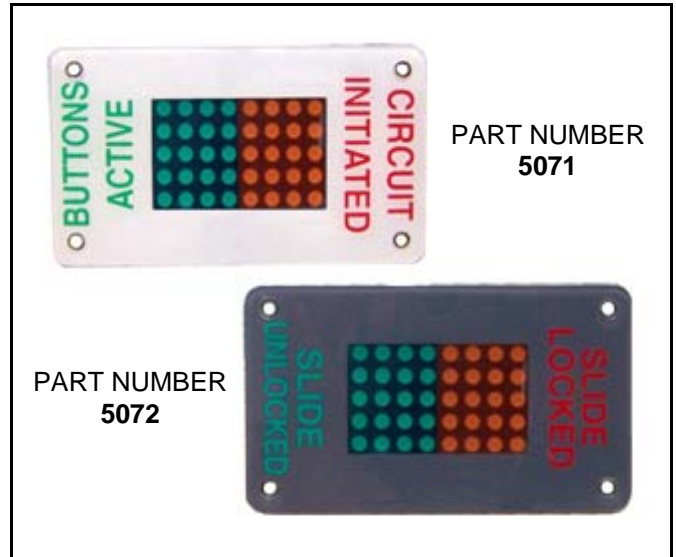
# 5000 Series LED Light

**(248) 356-2839**

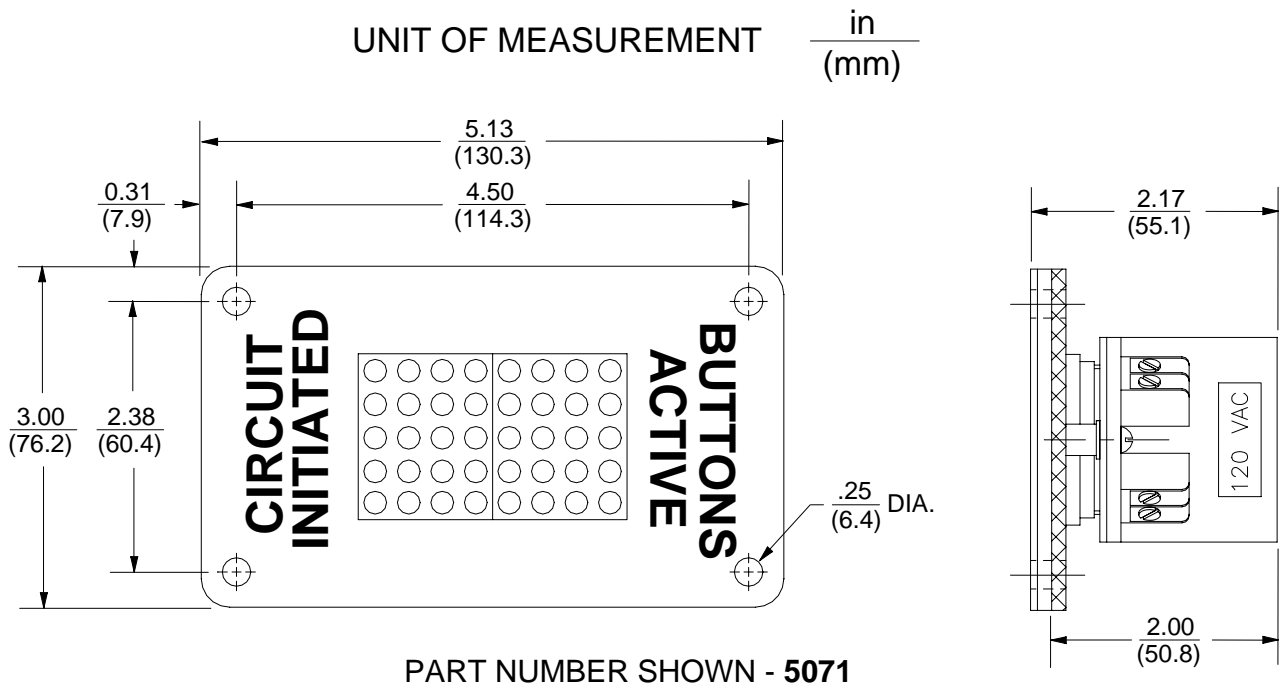
*Excellent replacement of pilot lights  
where red and green are required.*

## FEATURES

- Flat exposed surface
- Mounts in standard switch enclosure
- LED display for long life and reliability
- Red and green color combination
- Highly visible, bright display
- 120 V operation
- Low current draw - 40 mA per color
- Custom labeling available
- Competitively priced with pilot lights
- "Value added" services available (runbars, enclosures, etc.)



## DIMENSIONS



Notice: The information contained herein is, to the best of our knowledge, true, accurate and reliable. Since procedures and conditions under which these products may be used are beyond our control, no warranty, expressed or implied, is made to their performance.



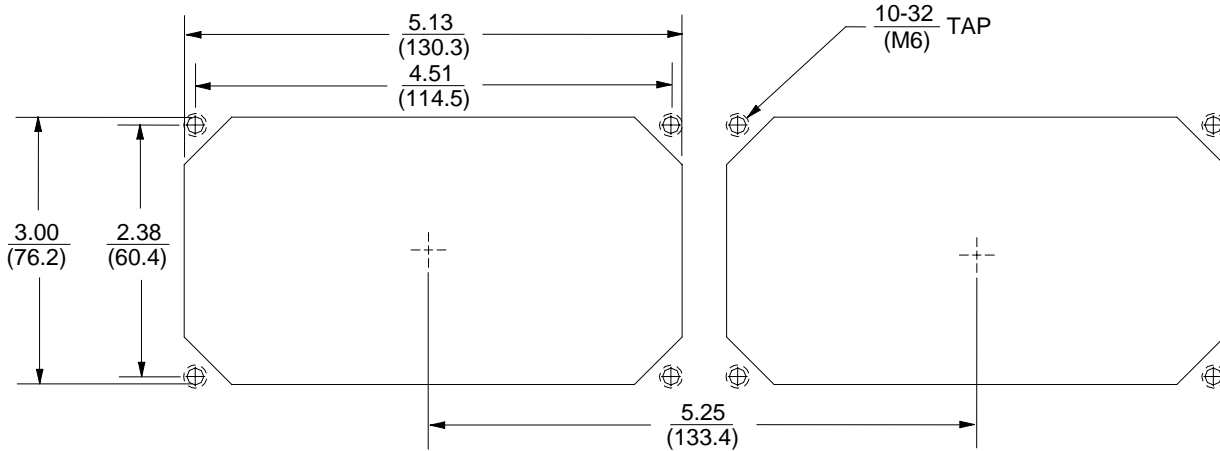
Sheet: 041130

**Syndevco Inc.**  
24205 Telegraph Rd - Southfield MI 48034  
Toll Free: (800) 356-2839 Local: (248) 356-2839 Fax: (248) 356-0928  
visit us at: [www.syndevco.com](http://www.syndevco.com)



# 5000 Series LED Light

## MOUNTING DIMENSIONS

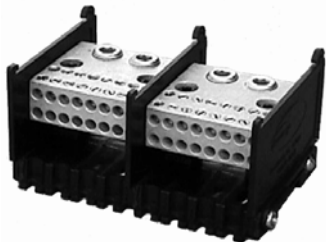


## PART NUMBER SYSTEM

GENERIC PART NUMBER : 507X-Y  
 SAMPLE PART NUMBER : 5071

|     |                    |                |   |
|-----|--------------------|----------------|---|
| 507 | X                  |                | Y   |
|     | LABELING           |                | ADDITIONAL OPTIONS                                    |
|     | RED                | GREEN          | LEAVE BLANK FOR NONE OR SEE A SYNDEVCO REPRESENTATIVE |
| 1   | CIRCUITS INITIATED | BUTTONS ACTIVE |   |
| 2   | SLIDE LOCKED       | SLIDE UNLOCKED |   |

**PLEASE SEE OUR OTHER PRODUCTS FOR FURTHER DESIGN SOLUTIONS**



Machined Series  
Terminal Blocks  
(for clarity, picture shown w/o cover)



3000 Series  
Strain Aids



GTP Series  
Power Distribution Boxes

Notice: The information contained herein is, to the best of our knowledge, true, accurate and reliable. Since procedures and conditions under which these products may be used are beyond our control, no warranty, expressed or implied, is made to their performance.



**Syndevco Inc.**

Sheet: 041130

24205 Telegraph Rd - Southfield MI 48034

Toll Free: (800) 356-2839 Local: (248) 356-2839 Fax: (248) 356-0928

visit us at: [www.syndevco.com](http://www.syndevco.com)