



4400-A Series Water Control Valve

(248) 356-2839

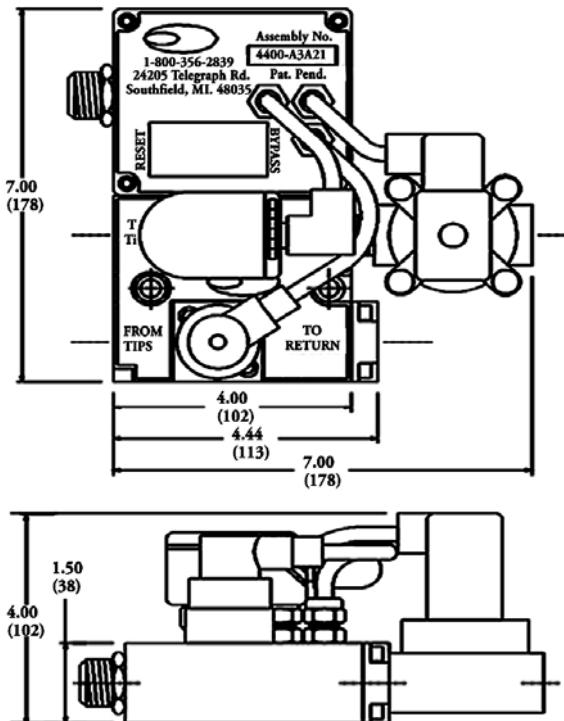
The 4400-A Series WCV provides instantaneous shutoff due to undesirable changes in coolant

FEATURES

- Loss of flow indication
- Loss of weld tip indication
- Equipped with illuminated bypass switch
- Local visualization of flow via LED display
 - Red: inadequate flow
 - Green: adequate flow
- No field calibration required
- Equipped with 5-pin Mini Connector
- 120VAC and 24VDC operation available
- Manifolds constructed of brass
- Water tight construction
- Virtually no pressure drop (1 psi at 1 gpm)



DIMENSIONS



SPECIFICATIONS

Version	AC	DC
Voltage	120/110 VAC	24 VDC
Frequency	60/50 Hz	N/A
Maximum Current	(L1-L2) 0.41 A inrush 0.21 A holding	(+24 VDC - 0 VDC) 505mA
Max. Fluid Temperature	176 F (80 C)	
Maximum Pressure	100 PSI	
Overall Dimensions	7.5W x 7.0L X 4.25D in 191W X 178L X 108D mm	
Mounting Dimensions	5/16 Bolt Clearance	3 in C-C 76 mm C-C
Weight	8 lbs.	

Units of measure: inches
[mm]

Notice: The information contained herein is, to the best of our knowledge, true, accurate and reliable. Since procedures and conditions under which these products may be used are beyond our control, no warranty, expressed or implied, is made to their performance.



Syndevco Inc.
ISO-9001-2000
Certificate # A10995

Syndevco Inc.

Sheet: 040120

24205 Telegraph Rd - Southfield MI 48034
Toll Free: (800) 356-2839 Local: (248) 356-2839 Fax: (248) 356-0928

visit us at: www.syndevco.com

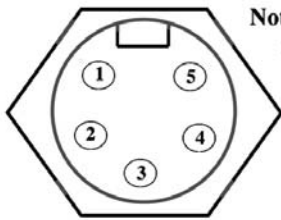


4400-A Series Water Control Valve

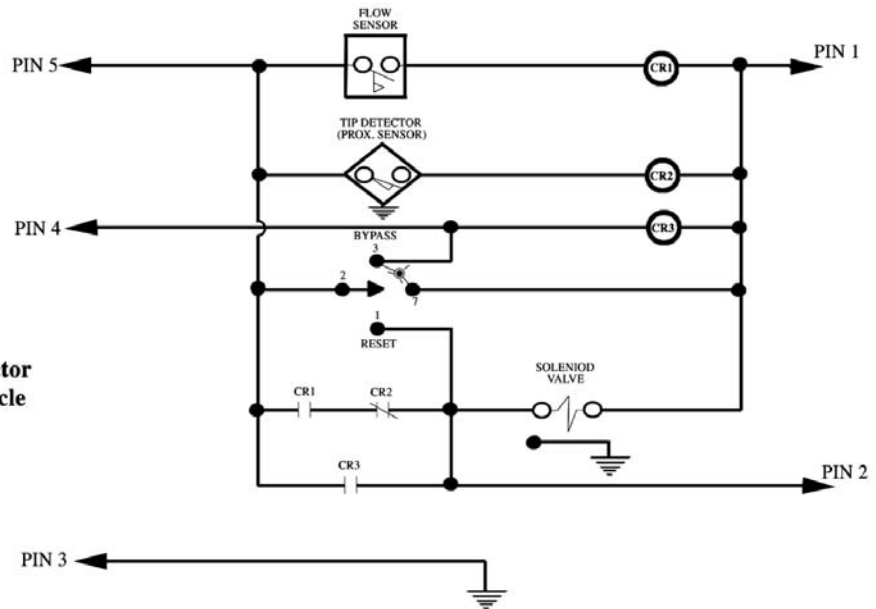
PART NUMBER SYSTEM

An electrical schematic of the 4400-A is provided. A 5 pin male mini receptacle is provided to make all electrical connections. The pin configuration is as follows.

- Pin1 - L2 (120VAC neutral) or [0VDC (w/ DC version)]
- Pin2 - Controller Signal
- Pin3 - Ground
- Pin4 - Remote Reset
- Pin5 - L1 (120VAC line) or [+24VDC w/ DC version]



Note: View of connector is of male receptacle on WCV



CONNECTOR STYLES

SAMPLE PART NUMBER : 4400-A3A21
 OPTIONS : 4400-WXYZ

4400 -

W	X	Y	Z
FLOW SENSOR TRIP POINT	VOLTAGE	SIZE	VERSION
A1- FLOW SENSOR & TIP DETECTION TRIP POINT - 0.25 GPM	A - 120VAC	2 - 1/2 PORT	1 - VERSION1 SEE A SYNDEVCO REPRESENTATIVE FOR FURTHER OPTIONS
A2- FLOW SENSOR & TIP DETECTION TRIP POINT - 0.50 GPM	D - 24VDC		
A3- FLOW SENSOR & TIP DETECTION TRIP POINT - 0.75 GPM			
A4- FLOW SENSOR & TIP DETECTION TRIP POINT - 1.0 GPM			
A5- FLOW SENSOR & TIP DETECTION TRIP POINT - 1.25 GPM			
SEE A SYNDEVCO REPRESENTATIVE FOR FURTHER OPTIONS			

Notice: The information contained herein is, to the best of our knowledge, true, accurate and reliable. Since procedures and conditions under which these products may be used are beyond our control, no warranty, expressed or implied, is made to their performance.



Syndevco Inc.

Sheet: 040120

24205 Telegraph Rd - Southfield MI 48034

Toll Free: (800) 356-2839 Local: (248) 356-2839 Fax: (248) 356-0928

visit us at: www.syndevco.com