



4330 Series Interlock Disconnects

(248) 356-2839

Flush mount interlock assemblies that do not allow plug to be engaged or disengaged under power

FEATURES

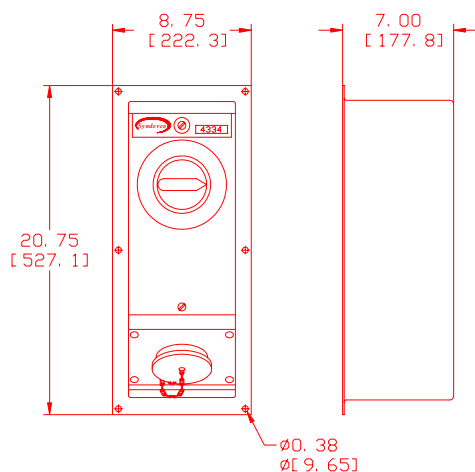
- Flush mount design
- 480/575V plug cannot be engaged or disengaged under power
- Auxiliary power version readily available
- GFCI protection available for auxiliary power
- 30, 60, 100, 125 Amp versions available
- Up to 200 KVA interrupting capacities
- Variety of power plug styles available
- 'Value added' services available



PART NUMBERS SHOWN: 4334 AND 4335

OVERALL DIMENSIONS

4334 Power Disconnect
30 or 60 Amp available



Units of Measure: inches
[mm]

4335 Power Disconnect w/ 20 A auxiliary plug
60, 100, 125 Amp available
GFCI available for auxiliary plug



Notice: The information contained herein is, to the best of our knowledge, true, accurate and reliable. Since procedures and conditions under which these products may be used are beyond our control, no warranty, expressed or implied, is made to their performance.



Syndevco Inc.
ISO-9001-2000
Certificate # A10995

Syndevco Inc.

Sheet: 041130

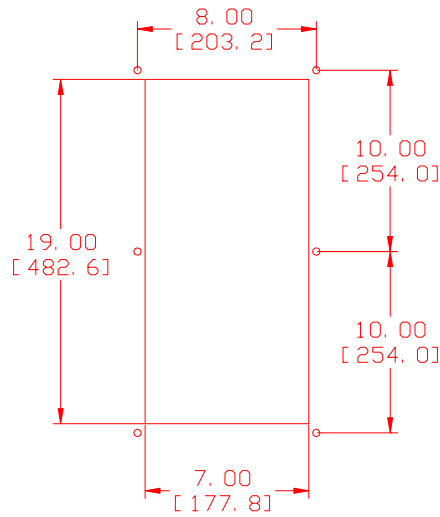
24205 Telegraph Rd - Southfield MI 48034
Toll Free: (800) 356-2839 Local: (248) 356-2839 Fax: (248) 356-0928
visit us at: www.syndevco.com



4330 Series Interlock Disconnects

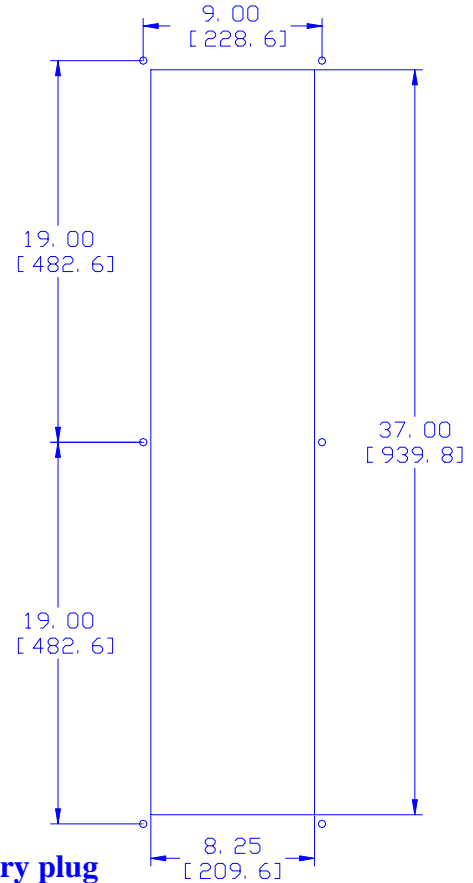
MOUNTING / CUT OUT DIMENSIONS

4334 Power Disconnect



Leave minimum of 7 inches
[177.8] mm clearance
behind disconnect

Units of Measure: inches
[mm]



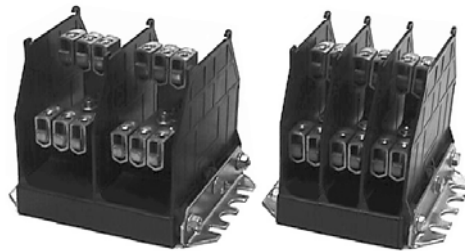
4335 Power Disconnect w/ 20 A auxiliary plug

Please see some of our other products for
further design solutions



GTP Series
Power Distribution
Boxes

For clarity, picture shown w/o cover



MB3 and MB2 Series
Power Blocks



UH series
Utility Clamp

Notice: The information contained herein is, to the best of our knowledge, true, accurate and reliable. Since procedures and conditions under which these products may be used are beyond our control, no warranty, expressed or implied, is made to their performance.



Syndevco Inc.
ISO-9001-2000
Certificate # A10995

Syndevco Inc.

Sheet: 041130

24205 Telegraph Rd - Southfield MI 48034

Toll Free: (800) 356-2839 Local: (248) 356-2839 Fax: (248) 356-0928

visit us at: www.syndevco.com