



3000 Series Cable Strain Aid

(248) 356-2839

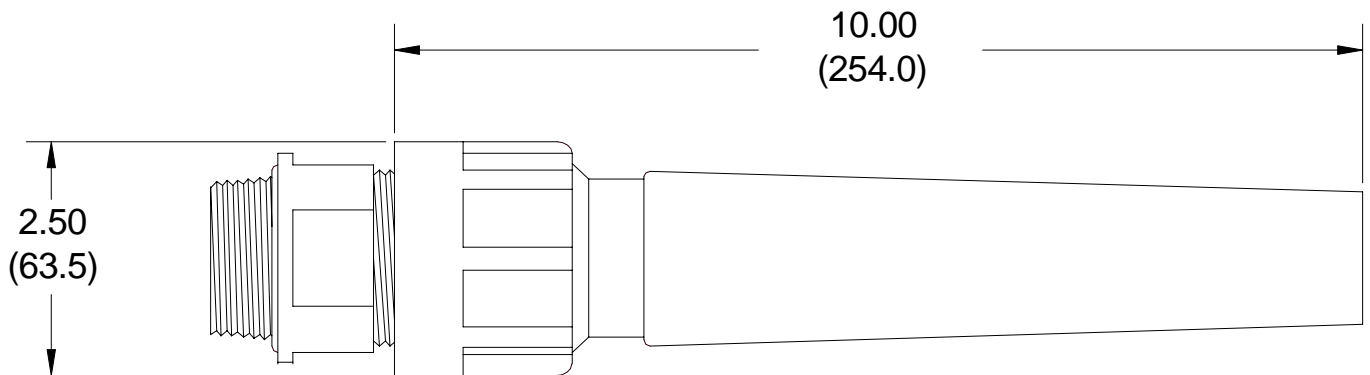
The 3000 Series Cable Strain Aid provides optimal strain relief for maximum life

FEATURES

- Superior design to control bend radius of *TRANSGUN* primary cable
- Eliminates frequent downtime and maintenance
- Securely supports and removes strain from cable
- Straight and 90 degree styles available
- Provides liquid tight strain relief
- Constructed of non-conductive high grade urethane
- Molded with silicone-free release agents
- Tear and abrasion resistant
- Component parts available separately
- Available with Transgun Cable assemblies



DIMENSIONS



Units of Measure: inches
(mm)

Dimensions are approximations

Notice: The information contained herein is, to the best of our knowledge, true, accurate and reliable. Since procedures and conditions under which these products may be used are beyond our control, no warranty, expressed or implied, is made to their performance.



Syndevco Inc.
ISO-9001-2000
Certificate # A10995

Syndevco Inc.

Sheet: 041011

24205 Telegraph Rd - Southfield MI 48034

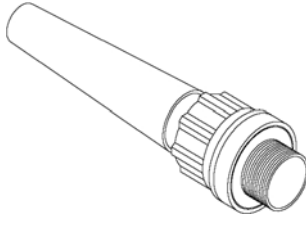
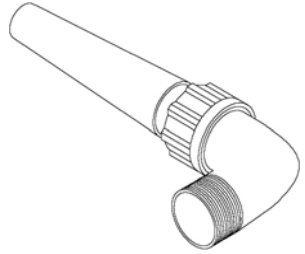
Toll Free: (800) 356-2839 Local: (248) 356-2839 Fax: (248) 356-0928

visit us at: www.syndevco.com



3000 series Cable Strain Aid

PART NUMBERING SYSTEM

Conduit Hub Size NPT	Cable Range inches	Part Number	
		Straight	90 degree
1-1/4	1.000 - 1.125		
	1.125 - 1.250	3025-00	3025-90
	1.250 - 1.375	3026-00	3026-90
1-1/2	1.000 - 1.125	3034-00	3034-90
	1.125 - 1.250	3035-00	3035-90
	1.250 - 1.375	3036-00	3036-90

Please see our other strain relief products for further design solutions



**7000 Series
Cage Bushings**



**RF Series
Transgun Cables**



**C2 Series
Transgun Cables**

Notice: The information contained herein is, to the best of our knowledge, true, accurate and reliable. Since procedures and conditions under which these products may be used are beyond our control, no warranty, expressed or implied, is made to their performance.



Syndevco Inc.

Sheet: 041011

24205 Telegraph Rd - Southfield MI 48034

Toll Free: (800) 356-2839 Local: (248) 356-2839 Fax: (248) 356-0928

visit us at: www.syndevco.com