



Short Stroke Robot Dress Solution

(248) 356-2839

Simple utility protection for small utilities Approx 6 inches of utilities can be stored

FEATURES

- Protects utilities
- Easily added to existing installations
- Approx 6 inches of utilities can be stored with the spring retract mechanism
- Controls bundle in a predictable manner
- Keeps bundle from catching on fixtures and work pieces
- Increased cable/ hose life
- Decreased downtime
- Robot Dress assistance readily available
- 'Value added' services available



Small Bundle Short Stroke

- 10 inches (254mm) of stored router

Step 1 Choose Offset Side

- Left
- Right

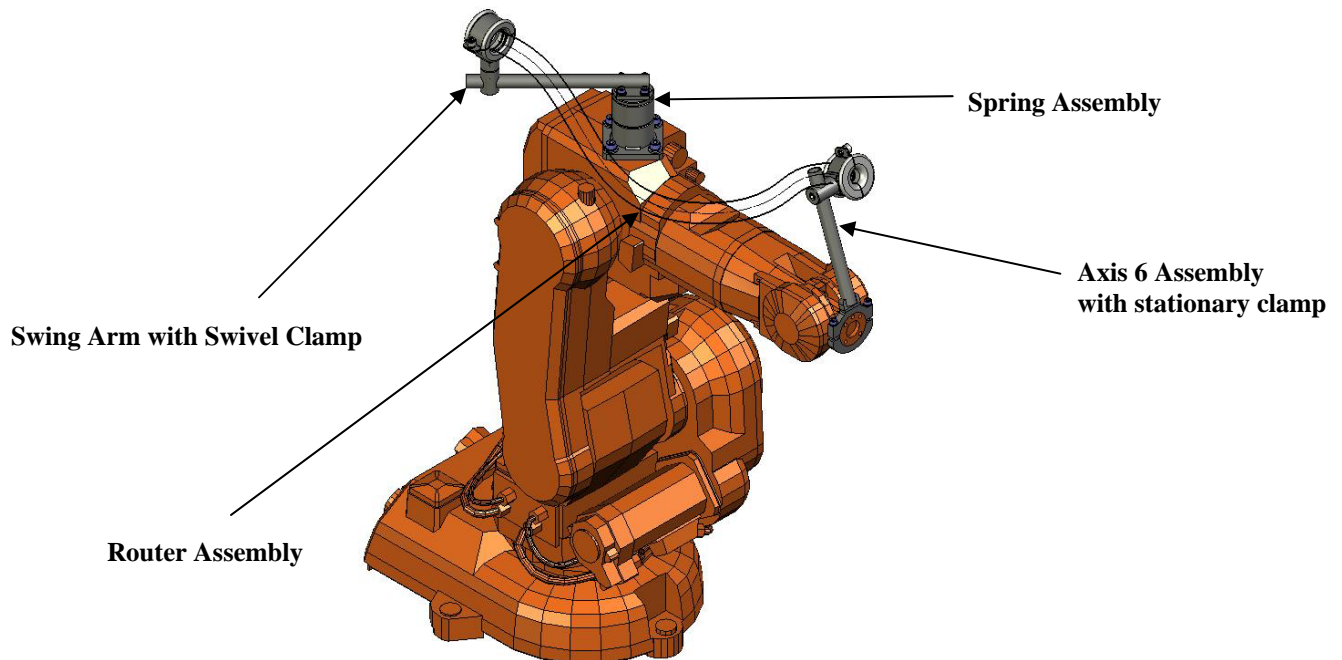
Step 2 Choose Router Diameter

- Less than 36mm
- Less than 29mm
- Less than 23mm

Step 3 Identify robot manufacturer and model

Step 4 Identify utility bundle

- Complete utilities or
- Bundle diameter



Notice: The information contained herein is, to the best of our knowledge, true, accurate and reliable. Since procedures and conditions under which these products may be used are beyond our control, no warranty, expressed or implied, is made to their performance.



Syndevco Inc.
ISO-9001-2000
Certificate # A10995

Syndevco Inc.

Sheet: 080930

24205 Telegraph Rd - Southfield MI 48034

Toll Free: (800) 356-2839 Local: (248) 356-2839 Fax: (248) 356-0928

visit us at: www.syndevco.com



Intentionally
left
blank