



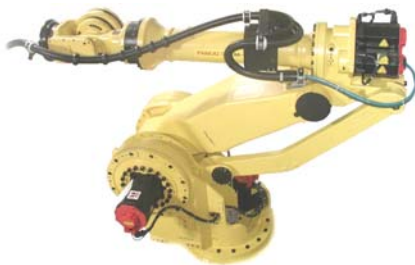
Spring Retract Robot Dress Solution

(248) 356-2839

Easy and minimal adjustments to match configuration and robot path of highly articulating robots

FEATURES

- Offers superior protection of utilities
- Minimal amount of labor required to match configuration and robot path
- Very close to robot arm to limit obstruction
- Best solution for very high articulating robots
- Easy replacement of hose or cable
- Allows flexibility to rearrange routing to match robot path and avoid fixtures
- Increased cable/ hose life
- Decreased downtime
- Robot Dress assistance readily available
- 'Value added' services available



Small Frame Spring Retract

- 18 inches (457mm) of stored router

**Step 1
Choose Offset
Side**

- Left
- Right

**Step 2
Choose Router
Diameter**

- Less than 36mm
- Less than 29mm
- Less than 23mm

**Step 3
Identify robot
manufacturer and
model**

**Step 4
Identify utility
bundle**

- Complete utilities
or
- Bundle diameter



Medium Frame Spring Retract

- 23 inches (584mm) of stored router

**Step 1
Choose Offset
Side**

- Left
- Right

**Step 2
Choose Router
Diameter**

- Less than 70mm
- Less than 56mm
- Less than 48mm

**Step 3
Identify robot
manufacturer and
model**

**Step 4
Identify utility
bundle**

- Complete utilities
or
- Bundle diameter



Large Frame Spring Retract

- 26 inches (660mm) of stored router

**Step 1
Choose Offset
Side**

- Left
- Right

**Step 2
Choose Router
Diameter**

- Less than 95mm

**Step 3
Identify robot
manufacturer and
model**

**Step 4
Identify utility
bundle**

- Complete utilities
or
- Bundle diameter

Notice: The information contained herein is, to the best of our knowledge, true, accurate and reliable. Since procedures and conditions under which these products may be used are beyond our control, no warranty, expressed or implied, is made to their performance.



Syndevco Inc.
ISO-9001-2000
Certificate # A10995

Syndevco Inc.

Sheet: 080930

24205 Telegraph Rd - Southfield MI 48034

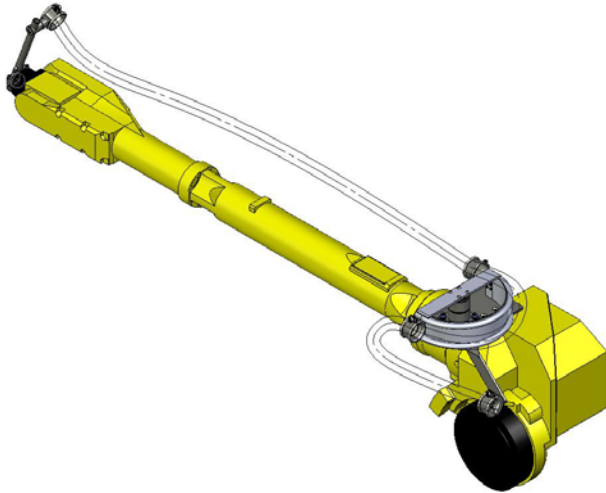
Toll Free: (800) 356-2839 Local: (248) 356-2839 Fax: (248) 356-0928

visit us at: www.syndevco.com



Spring Retract Robot Dress Solution

EXAMPLES

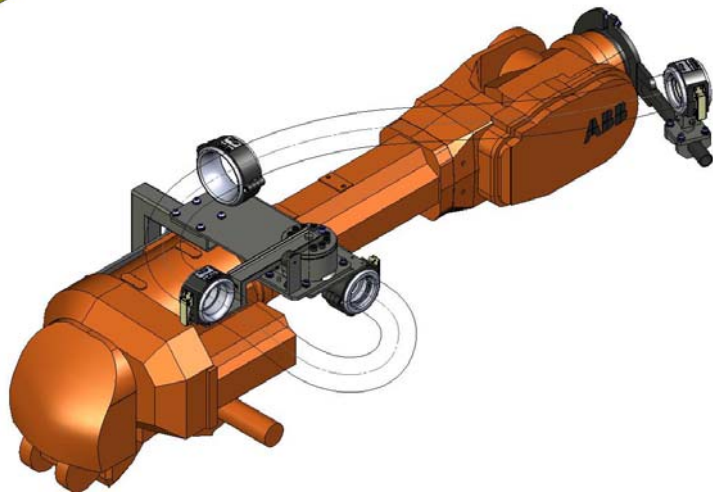


Small Frame Spring Retract (as shown)

- Left Side
- Router—36mm
- Fanuc M710iC-20L Robot

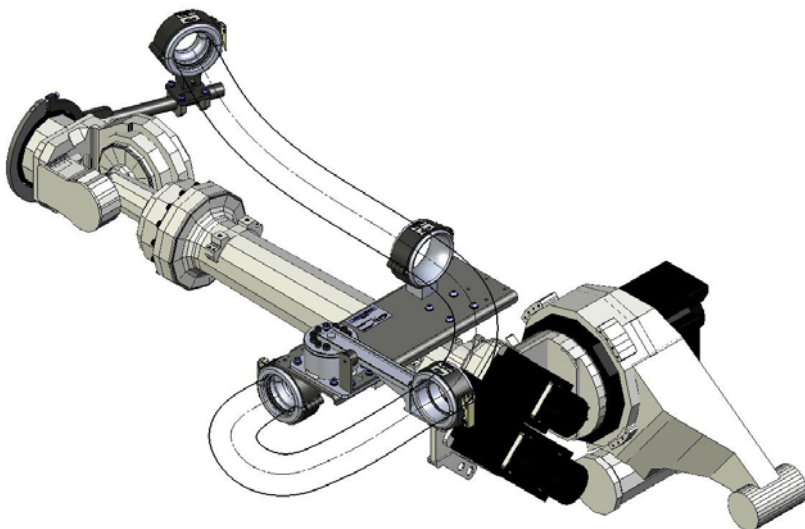
Medium Frame Spring Retract (as shown)

- Right Side
- Router—70mm
- ABB 4400 Robot



Large Frame Spring Retract (as shown)

- Left Side
- Router—95mm
- Kawasaki ZZX200S Robot



Notice: The information contained herein is, to the best of our knowledge, true, accurate and reliable. Since procedures and conditions under which these products may be used are beyond our control, no warranty, expressed or implied, is made to their performance.



Syndevco Inc.
ISO-9001-2000
Certificate # A10995

Syndevco Inc.

24205 Telegraph Rd - Southfield MI 48034

Toll Free: (800) 356-2839 Local: (248) 356-2839 Fax: (248) 356-0928

visit us at: www.syndevco.com